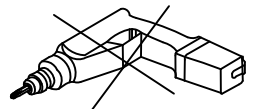
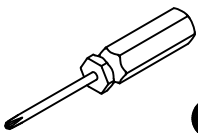
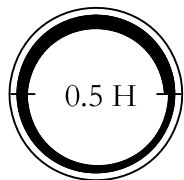
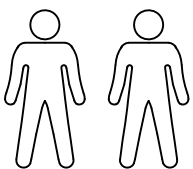
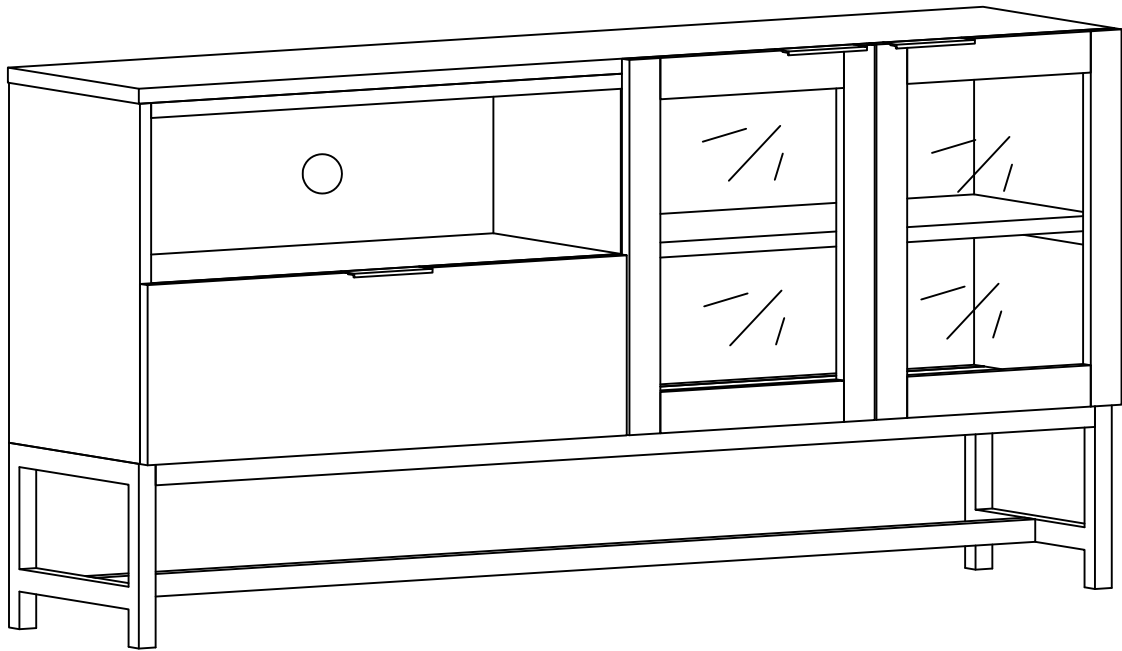
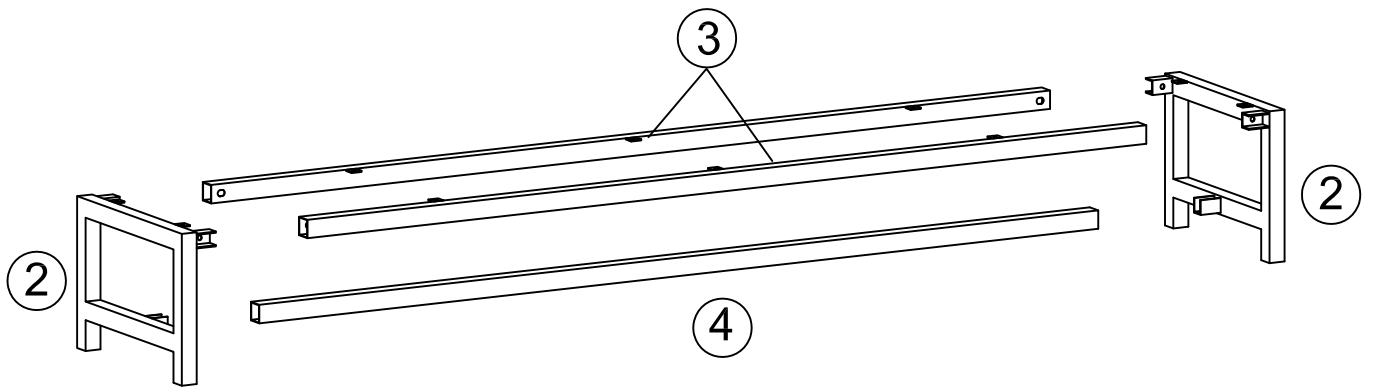
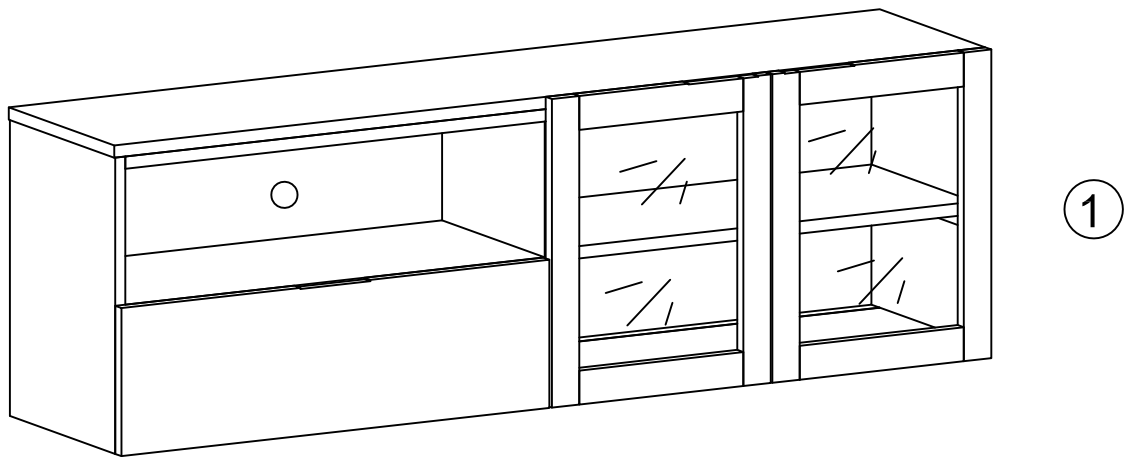
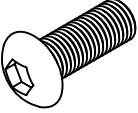
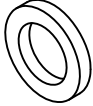

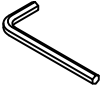





BOSTON

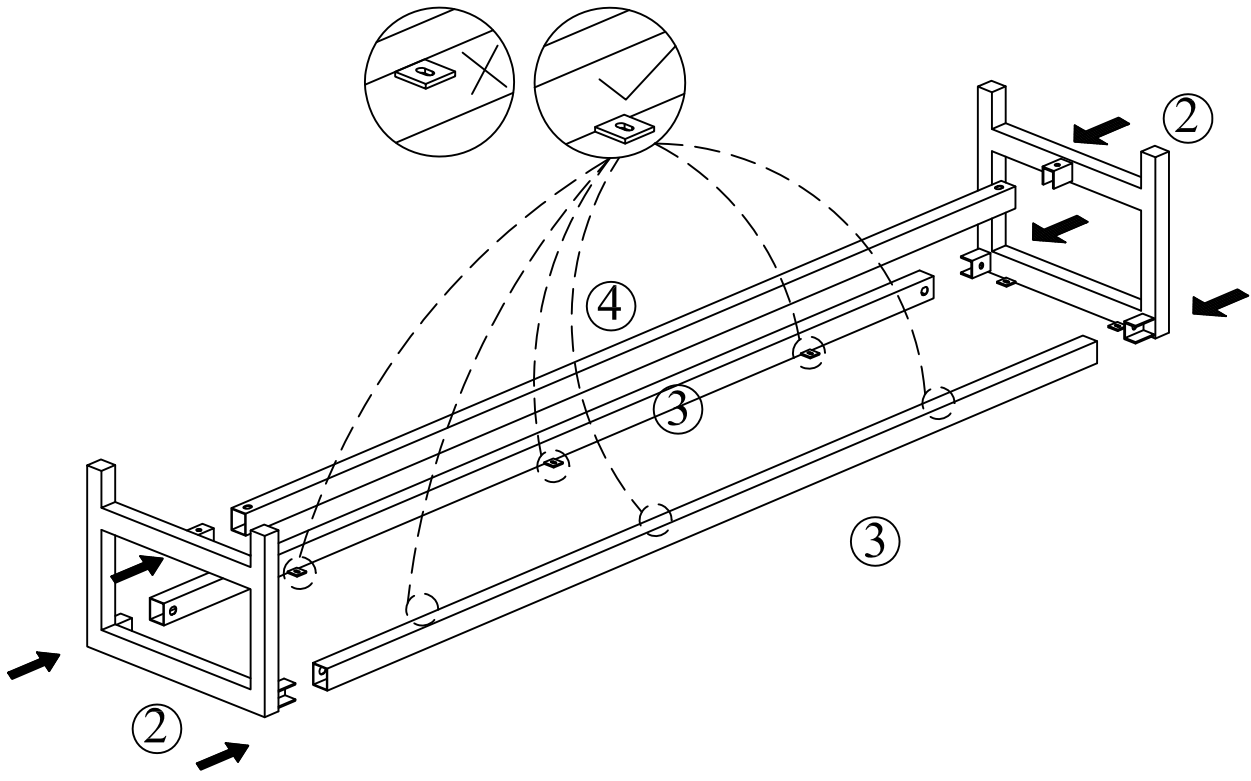


			✓
①	1	1740X400X500	
②	2	375X246X70	
③	2	1680X60X30	
④	1	1680x30x30	

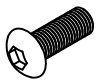




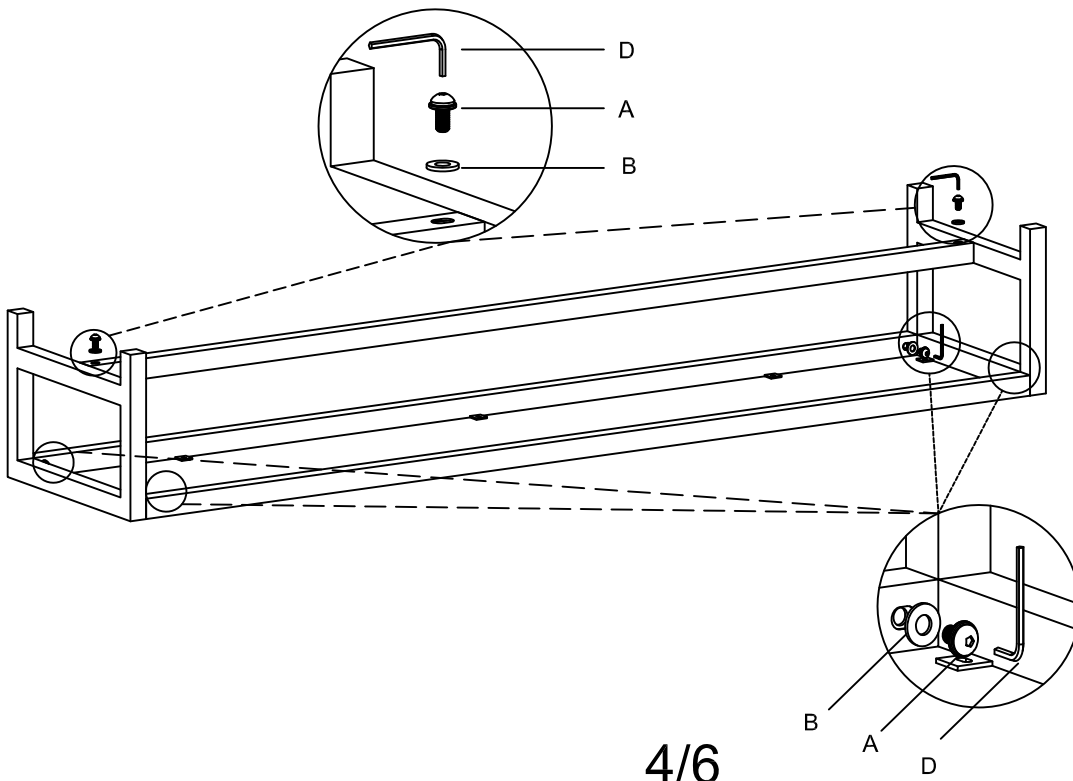
<p>Ax6</p>  <p>M8x16mm</p>	<p>Bx6</p>  <p>Ø19xØ8mm</p>	<p>Cx10</p>  <p>Ø4x18mm</p>	<p>Dx1</p>  <p>M8</p>
<p>Ex3</p>  <p>140X40X25mm</p>	<p>Fx2</p>  <p>Ø12XØ6</p>	<p>Gx9</p>  <p>Ø4x12mm</p>	

1

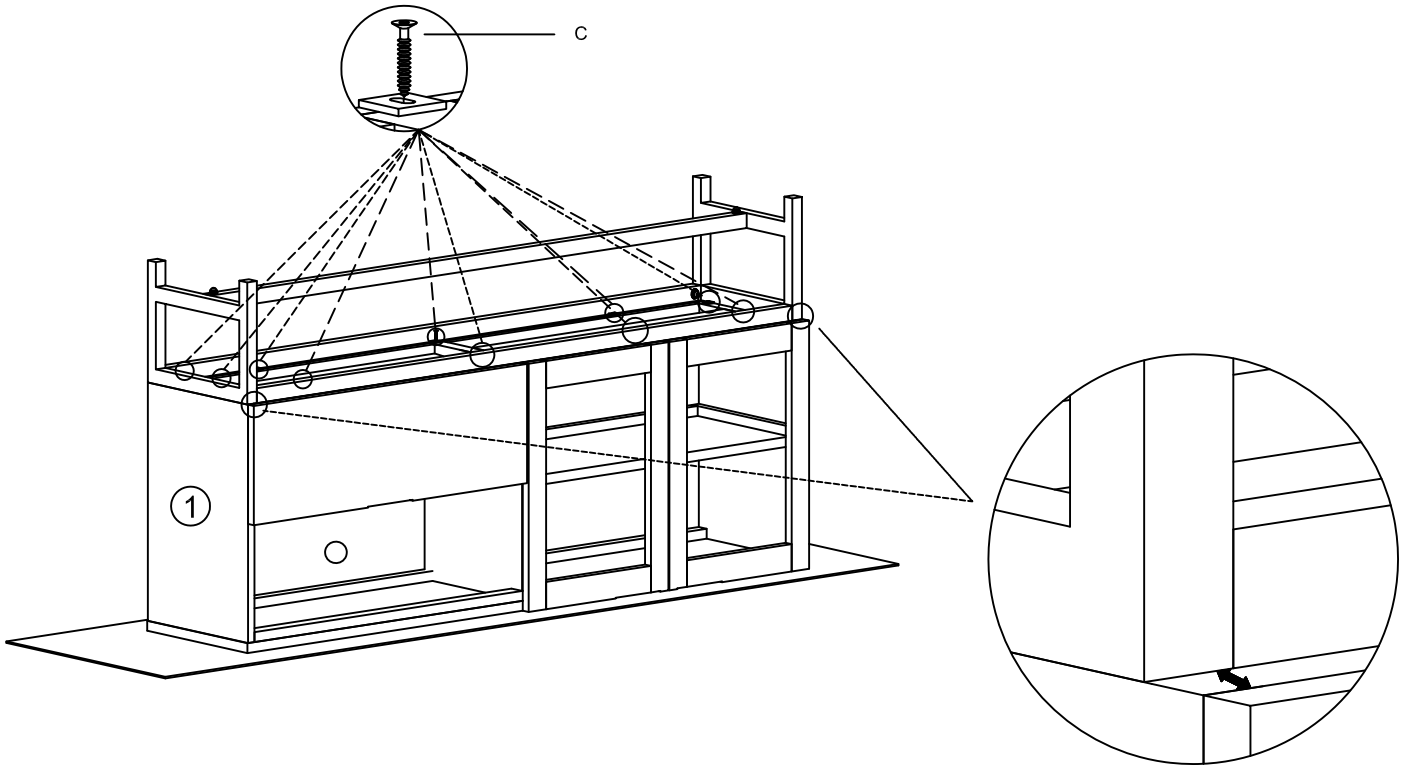
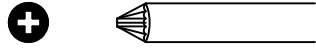
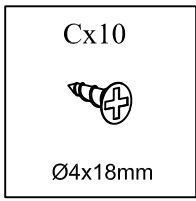


2

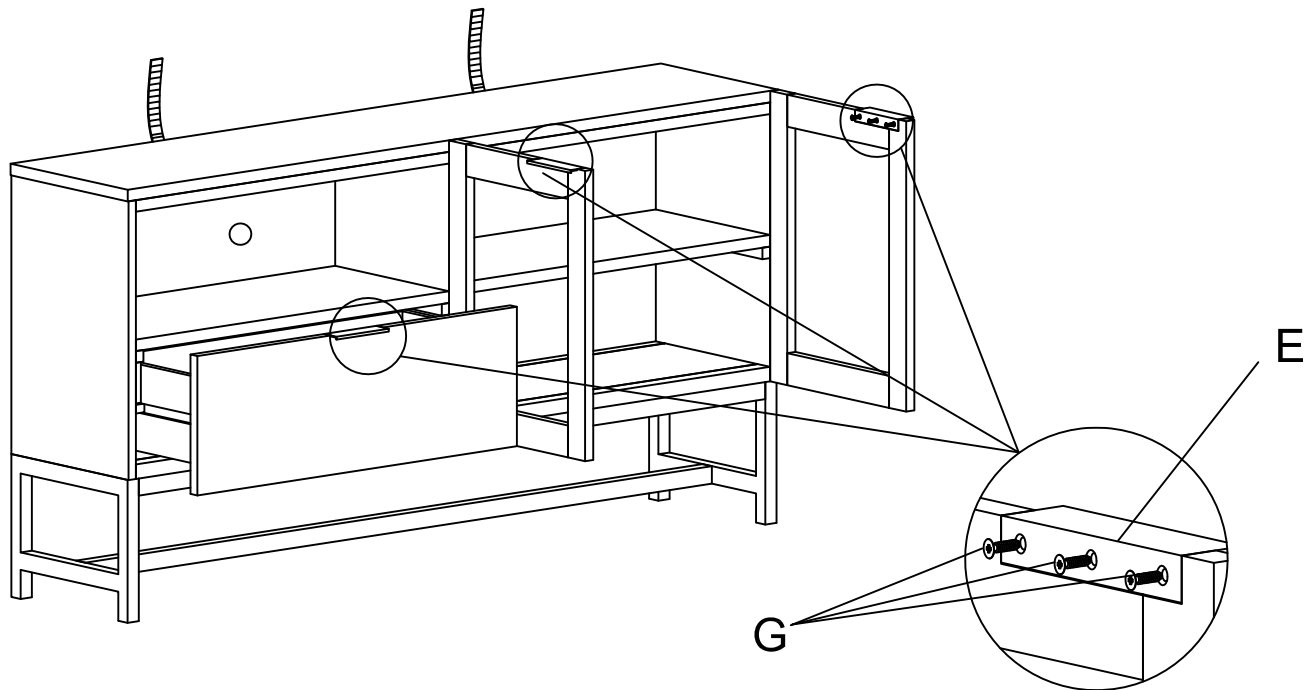
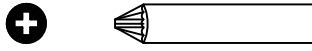
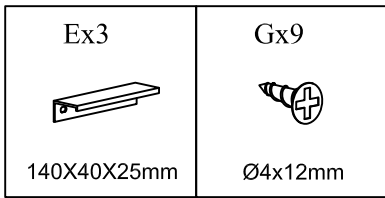
Ax6	Bx6	Dx1
		
M8x16mm	Ø19XØ8mm	M8



3



4



5

